



SOLID
TO SUCCEED

TELESCOPIC BOOM LIFT

XGS16K



The print does not belong to the contract, nor a part of the vehicle purchase contract. We reserve the right to revise the product model, parameters, configuration based on the continuous improvement requirements of the product, without prior notice. Pictures are for reference only, and the specific product shall depend on the real product.

XGS16K

Telescopic boom lift

FEATURES

MEASUREMENTS

16m working height
Up to 272/350kg lift capacity

PRODUCTIVITY

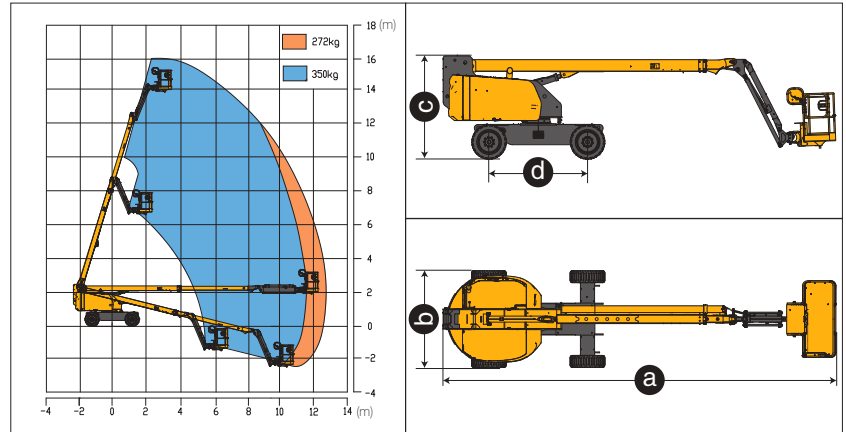
1.83m × 0.76m working platform
4 driving wheels
2 steering wheels
45% theoretical gradeability
Solid rubber tires
Platform automatic leveling system
160° platform rotation
Fully proportional multi-function controls
Hydraulic oil cooler
Drive enable
Hourmeter record
Tilt alarm
Lift and lower alarm
Drive alarm
360° continuous turntable rotation
Lockable canopy
High/Slow speed mode
Turntable control box
Engine status display
Initiative anti-extrusion system
Flashing beacon

POWER

Engine protection devices
Deutz Euro stage V emission
12V DC emergency power

OPTIONS

Tool tray
Platform working light
Foam-filled rough terrain tires



Item	Unit	XGS16K
Working height	m	16
Platform height	m	14
Working radius	m	12.7
Lift capacity	kg	272/350
Occupant capacity	-	2
Boom luffing range	°	-14~+73
Fly jib luffing range	°	-65~+70
Turntable rotation	°	360
Platform rotation	°	160
Drive speed (retracted/extended)	km/h	4.8/0.6
Turning radius (inside/outside)	m	1.9/4.7
Tailswing	mm	1120
Ground clearance	mm	300
Gradeability	%	45
Tires	-	32×12-20/7.5
Power source	-	Deutz D2.9L4
Rated power	kW/(r/min)	36.4/(2600)
Fuel tank	L	90
Hydraulic tank	L	120
Weight	kg	8050
Platform size	mm	1830×760
a Length (transportation)	mm	9400/9100
b Width	mm	2320
c Height	mm	2480
d Wheelbase	mm	2360