



SOLID
TO SUCCEED

SCISSOR LIFTS

XG1008AC/XG1012AC



The print does not belong to the contract, nor a part of the vehicle purchase contract. We reserve the right to revise the product model, parameters, configuration based on the continuous improvement requirements of the product, without prior notice. Pictures are for reference only, and the specific product shall depend on the real product.

XG1008AC/XG1012AC



Scissor lifts

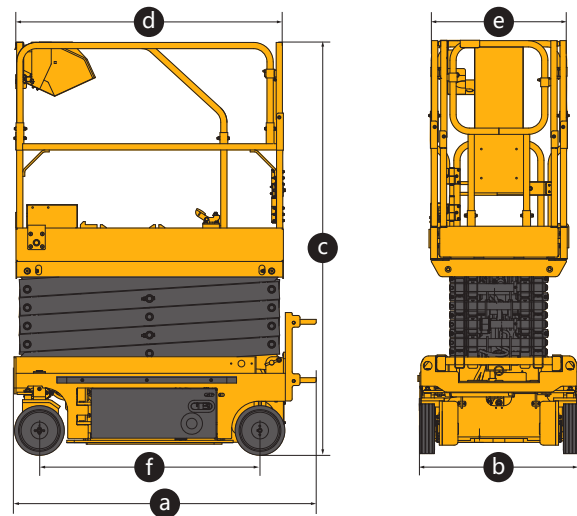
FEATURES

PRODUCTIVITY

- 2 front driving wheels
- 25% theoretical gradeability
- Battery charge indicator and diagnostic display
- Manual platform lowering valve
- Both platform and ground control panel with emergency stop button
- Front wheel multi-disc brakes
- Manual brake release
- Solid non-marking tires
- Mobile pothole protection
- Tilt alarm
- Hourmeter record
- Lift and lower alarm
- Horn
- Dual flashing beacons
- Drive alarm
- Overload alarm

OPTIONS

- Platform working light
- Air-line to platform
- AC power to the platform
- Lithium battery



Item	Unit	XG1008AC	XG1012AC
Lift capacity	kg	230	450
Lift capacity of auxiliary platform	kg	115	115
Occupant capacity	-	2/1(in/out)	2
Working height	m	10	10
Platform height	m	8/5.5(in/out)	8
Length of auxiliary platform	mm	900	900
Ground clearance (pothole protector – raised/lowered)	mm	100/20	110/20
Turning radius (inside/outside)	m	0/2.3	0/2.3
Drive motor	kW	0.87	0.87
Lift motor	kW	3.3	3.3
Drive speed (retracted/extended)	km/h	4.0/0.8	4.0/0.8
Lift/Lower time	s	29~40/34~45	29~40/49~60
Gradeability	%	25	25
Tilt alarm (side/forward and backward)	°	1.5/3	1.5/3
Batteries	V/Ah	4x6/280 Lead-acid (standard) 25.6/206 Lithium (optional)	4x6/280 Lead-acid (standard) 25.6/206 Lithium (optional)
Charger	V/A	24/30	24/30
Tires	-	381×127	381×127
Weight	kg	2260	2680
a Length (without ladder)	mm	2477(2280)	2477(2267)
b Width	mm	810	1170
c Height (platform folded)	mm	2335(2005)	2335(1805)
d x e Platform size (Length x Width)	mm	2280×810	2280×1120
f Wheelbase	mm	1877	1877

SOLID TO SUCCEED